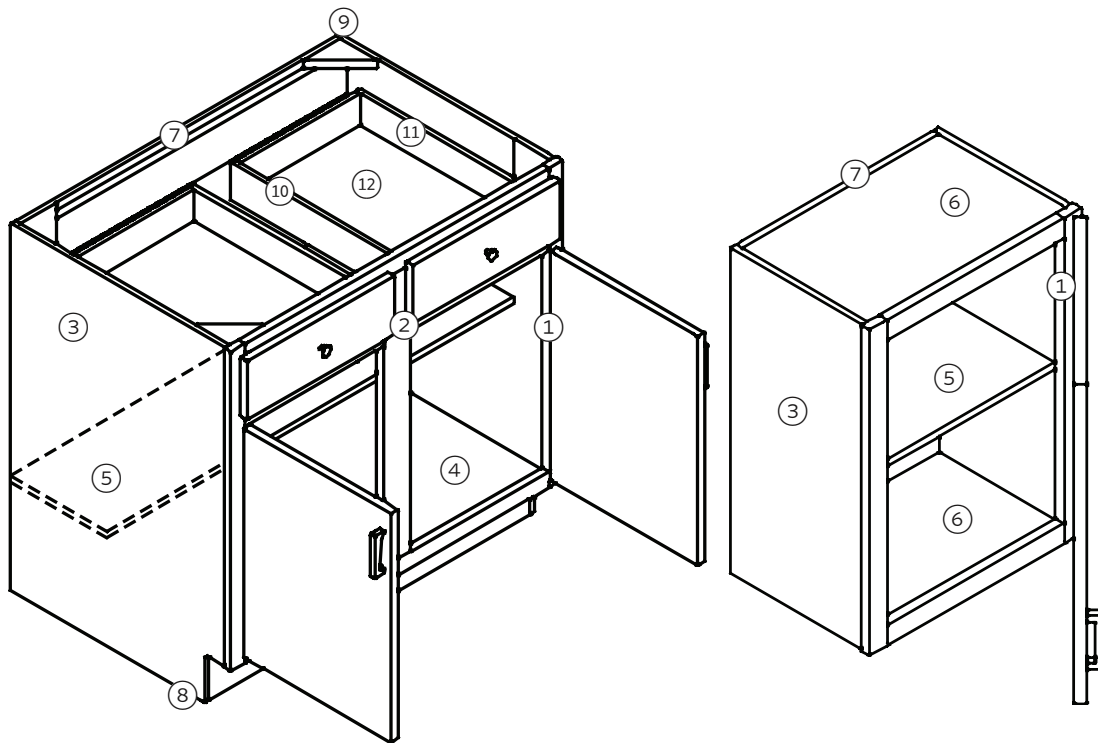




REPUBLIC  
ELITE

# FRAMED CABINETS WITH MELAMINE DOORS

## Standard Construction



- ① Hinges – 1/2" overlay concealed
- ② Face Frame – 3/4" hardwood
- ③ End Panels – 1/2" particleboard
- ④ Base Bottoms – 1/2" particleboard
- ⑤ Shelves – 5/8" pbd, base & wall adj.
- ⑥ Wall Tops/Bottoms – 1/2" particleboard
- ⑦ Backs – 1/8" hardboard
- ⑧ Toe Kick Supports – 1/2" particleboard (inset)
- ⑨ Corner Blocks – Triangular nylon
- ⑩ Drawer Guides – Epoxy, 75 lb. capacity
- ⑪ Drawer Box – 1/2" particleboard
- ⑫ Drawer Bottom – 1/8" hardboard

REPUBLICELITE.COM

[f](#) /republicitemultifamilyinteriors

[in](#) /company/republicelite

[@](#) /republicitemf

Republic Elite  
15167 Business Ave  
Addison, TX 75001

(972) 606-9667 office  
(972) 735-0934 fax  
info@republicelite.com

# Melamine Doors on Framed Cabinet Selections

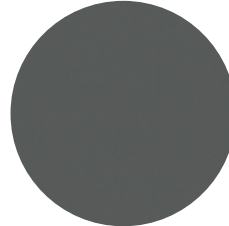
## Door Style



### Aspen

Slab 2 sided melamine 5/8" particleboard core door with PVC edge banded outside square edge.  
Slab drawer front has matching outside edge.

## Door Color

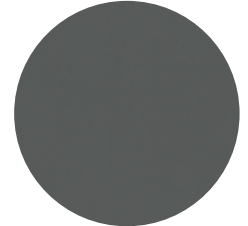


Tin Roof



Snowdrift

## Cabinet Finish



Tin Roof Paint



White Paint