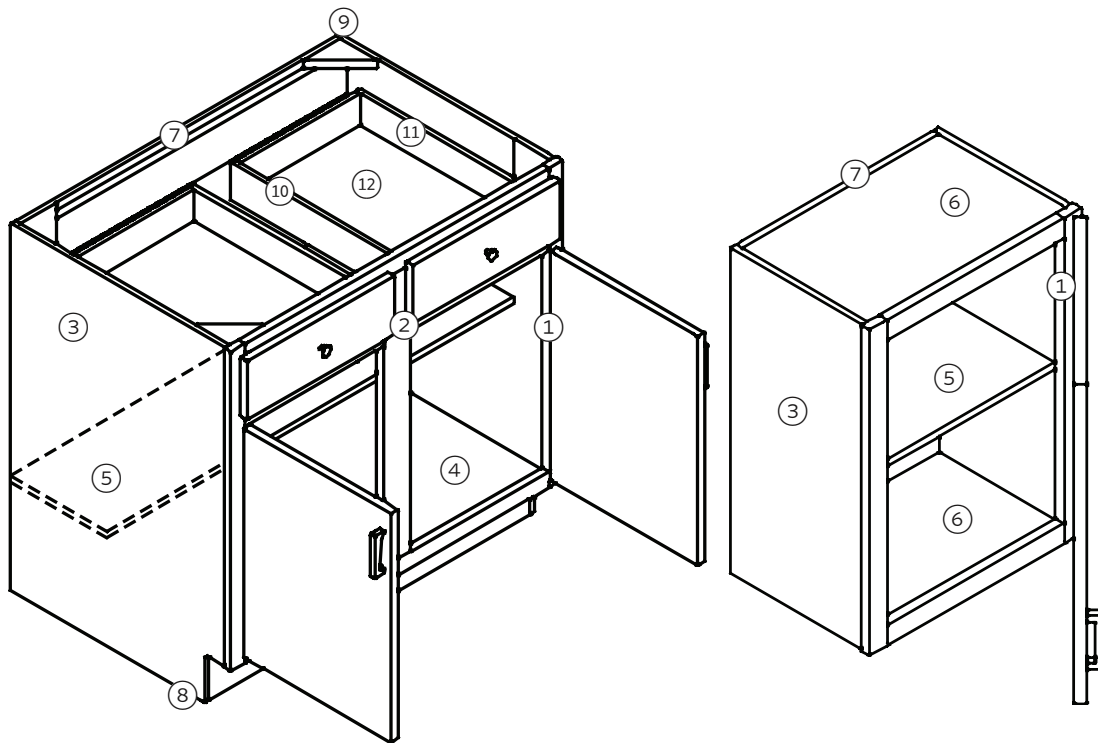




REPUBLIC
ELITE

FRAMED CABINETS

Standard Construction



- ① Hinges – 1/2" overlay concealed
- ② Face Frame – 3/4" hardwood
- ③ End Panels – 1/2" particleboard
- ④ Base Bottoms – 1/2" particleboard
- ⑤ Shelves – 5/8" pbd, base & wall adj.
- ⑥ Wall Tops/Bottoms – 1/2" particleboard
- ⑦ Backs – 1/8" hardboard
- ⑧ Toe Kick Supports – 1/2" particleboard (inset)
- ⑨ Corner Blocks – Triangular nylon
- ⑩ Drawer Guides – Epoxy, 75 lb. capacity
- ⑪ Drawer Box – 1/2" particleboard
- ⑫ Drawer Bottom – 1/8" hardboard

Note: Variation in color and grain may differ from actual product.



KITCHEN CABINET
MANUFACTURERS ASSOCIATION

15167 Business Ave
Addison, TX 75001
(972) 606-9667 office
(972) 735-0934 fax
info@republicelite.com

REPUBLICELITE.COM

[f](#) /republicitemultifamilyinteriors

[in](#) /company/republicelite

[e](#) /republicitemf

REVISED 4-11-2024

Framed Door Styles



BRIDGPORT
Maple or Oak

Raised panel shaker style maple or oak door, mortise and tenon construction with 3" wide rails & stiles. Slab Drawer Front.

Heritage Grey shown



COVENTRY
Maple or Oak

Shaker style door, mortise and tenon construction with 2" wide rails & stiles. Matching five piece drawer front.

Heritage Grey shown



DAVENPORT
Maple

Raised panel five piece door, mortise and tenon construction with decorative inside and outside edge profiles. Slab drawer front with matching decorative outside edge profile.

Heritage Grey shown



HEIRLOOM SHAKER
Poplar

Shaker style door, mortise and tenon construction with back bevel outside edge profile. 2" wide rails and stiles. Slab drawer front.

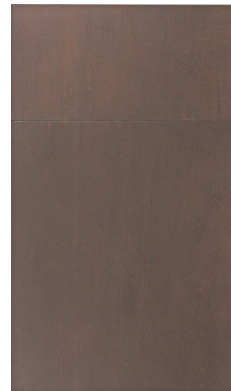
Heritage Grey shown



NEWPORT
Maple or Oak

Wide rail Shaker style door, mortise and tenon construction. Slab drawer front.

Heritage Grey shown



PEYTON
Maple

Slab door with square edge profile. Slab veneer drawer front.

Heritage Grey shown



SAN ANTONIO
Oak

Flat panel five piece door, mortise and tenon construction with rounded outside edge profile. Slab drawer front.

Heritage Grey shown



SHAKER
Maple

Shaker style door, mortise and tenon construction. Recessed flat center panel with 2" wide rails & stiles. Slab drawer front.

Heritage Grey shown



SHERWOOD
Maple or Oak

Flat panel five piece door, mortise and tenon construction with beaded inside edge and shaker style outside edge profiles. Slab drawer front.

Heritage Grey shown



SIERRA
Oak

Shaker style oak door, mortise and tenon construction with 2" wide rails & stiles. Slab drawer front.

Heritage Grey shown



STONERIDGE
Maple

Flat panel five piece door, mortise and tenon construction with rounded outside edge profile. Slab drawer front.

Heritage Grey shown

Note: Variation in color and grain may differ from actual product.



KITCHEN CABINET
MANUFACTURERS ASSOCIATION

15167 Business Ave
Addison, TX 75001
(972) 606-9667 office
(972) 735-0934 fax
info@republicelite.com

REPUBLICELITE.COM

[f](#) /republicelitemultifamilyinteriors

[in](#) /company/republicelite

[@](#) /republicelitemf

Maple Stains



Café



Cognac



Castlerock



Heritage Grey

Oak Stains



Café



Cognac



Castlerock



Heritage Grey

Poplar Stains



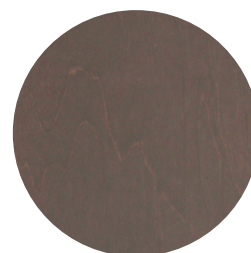
Café



Cognac



Castlerock



Heritage Grey


Note: Variation in color and grain may differ from actual product.





KITCHEN CABINET
MANUFACTURERS ASSOCIATION

15167 Business Ave
Addison, TX 75001
(972) 606-9667 office
(972) 735-0934 fax
info@republicelite.com

REPUBLICELITE.COM

 /republicitemultifamilyinteriors

 /company/republicelite

 /republicitemf