



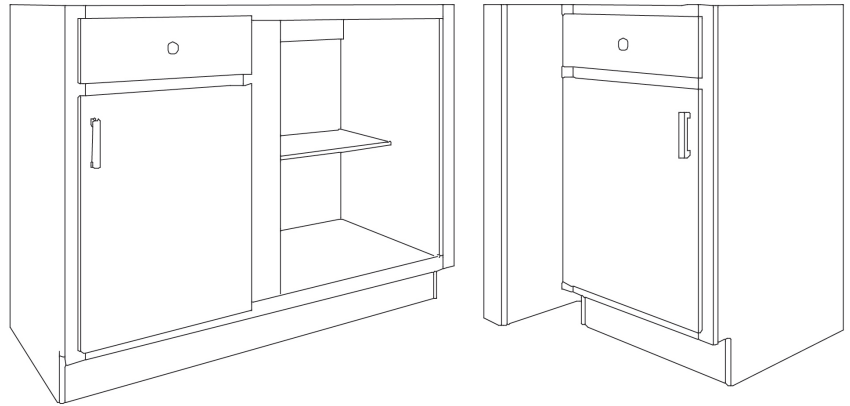
# BLIND CABINETS

## FRAMED BASES

Designing with Blind Cabinets requires a few considerations...

- Cabinet Construction
- Door Overlay
- With or Without Hardware
- Design needs space

- Blind mullion is 6" overall
- Half-depth fixed shelf
- Maximum pull (See charts below)
- Designed to be reversible
- Close off material stapled to back of cabinet

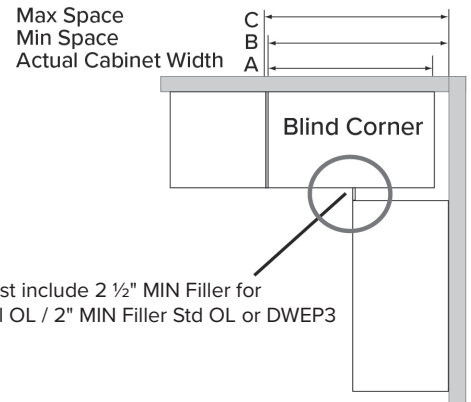


### STANDARD OVERLAY

	Actual Cabinet Width	Min Pull W/ Hardware	Max Space	Door Opening	Door Width
	A	B	C		
<b>BB39</b>	33"	40 1/2"	43 1/2"	12"	13"
<b>BB42</b>	39"	43 1/2"	46 1/2"	15"	16"
<b>BB45</b>	45"	46 1/2"	49 1/2"	18"	19"
<b>BB48</b>	48"	48"	51"	19 1/2"	20 1/2"

### FULL OVERLAY

	Actual Cabinet Width	Min Pull W/ Hardware	Max Space	Door Opening	Door Width
	A	B	C		
<b>BB39</b>	33"	41 1/2"	43 1/2"	12"	14 5/8"
<b>BB42</b>	39"	44 1/2"	46 1/2"	15"	17 5/8"
<b>BB45</b>	45"	47 1/2"	49 1/2"	18"	20 5/8"
<b>BB48</b>	48"	49"	51"	19 1/2"	22 1/8"



Note: Variation in color and grain may differ from actual product.



KITCHEN CABINET  
MANUFACTURERS ASSOCIATION

15167 Business Ave  
Addison, TX 75001  
(972) 606-9667 office  
(972) 735-0934 fax  
info@republicelite.com

REPUBLICELITE.COM

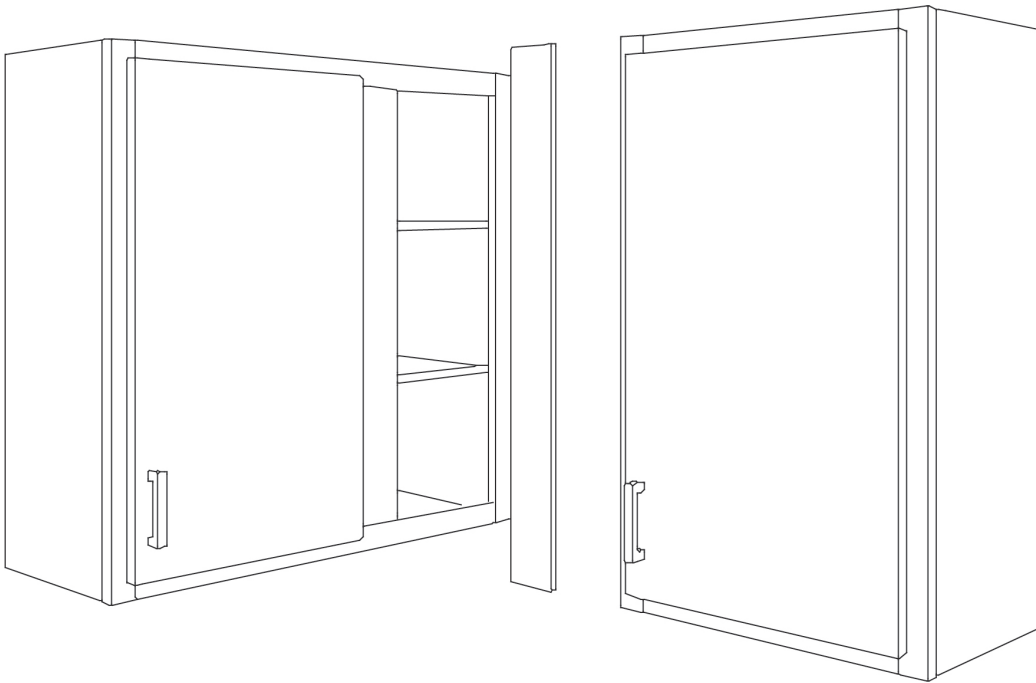
- [/republicitemultifamilyinteriors](#)
- [/company/republicelite](#)
- [/republicitemf](#)



REPUBLIC  
ELITE

# BLIND CABINETS

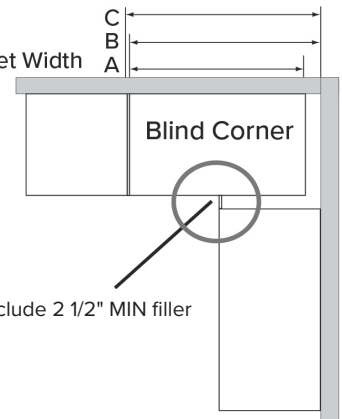
## FRAMED WALLS



- Blind mullion is 6" overall
- Maximum pull 4 1/2"
- Close off material stapled to back of cabinet

		Actual Cabinet Width	Min	Max Pull	Door Opening	Door Width	Door Width
		A	B	C		Std OL	Full OL
<b>SINGLE DOOR</b>	<b>WB24XX</b>	24"	26"	28 1/2"	9"	10"	11 5/8"
	<b>WB30XX</b>	30"	32"	34 1/2"	15"	16"	17 5/8"
	<b>WB36XX</b>	36"	38"	40 1/2"	21"	22"	23 5/8"
<b>DOUBLE DOOR</b>	<b>WB39XX</b>	39"	41"	43 1/2"	10 1/2"	11 1/2"	13 1/8"
	<b>WB42XX</b>	42"	44"	46 1/2"	12"	13"	14 5/8"
	<b>WB45XX</b>	45"	47"	49 1/2"	13 1/2"	14 1/2"	16 1/8"
	<b>WB48XX</b>	48"	50"	52 1/2"	15"	16"	17 5/8"

Max Space  
Min Space  
Actual Cabinet Width



Blind sections of corner wall cabinets can be reversed by inverting cabinet.  
Cabinets designed to be pulled from wall 1" minimum, but 2 1/2" MIN pull is recommended.  
Mullion is exposed when cabinet is pulled from wall. Maximum pull of cabinet is 4 1/2".  
In larger corners, a filler, equal in size to the exposed mullion, is recommended.

Note: Variation in color and grain may differ from actual product.



KITCHEN CABINET  
MANUFACTURERS ASSOCIATION

15167 Business Ave  
Addison, TX 75001  
(972) 606-9667 office  
(972) 735-0934 fax  
info@republicelite.com

REPUBLICELITE.COM

[f](#) /republicitemultifamilyinteriors

[in](#) /company/republicelite

[e](#) /republicitemf

REVISED 3-11-2024



REPUBLIC  
ELITE

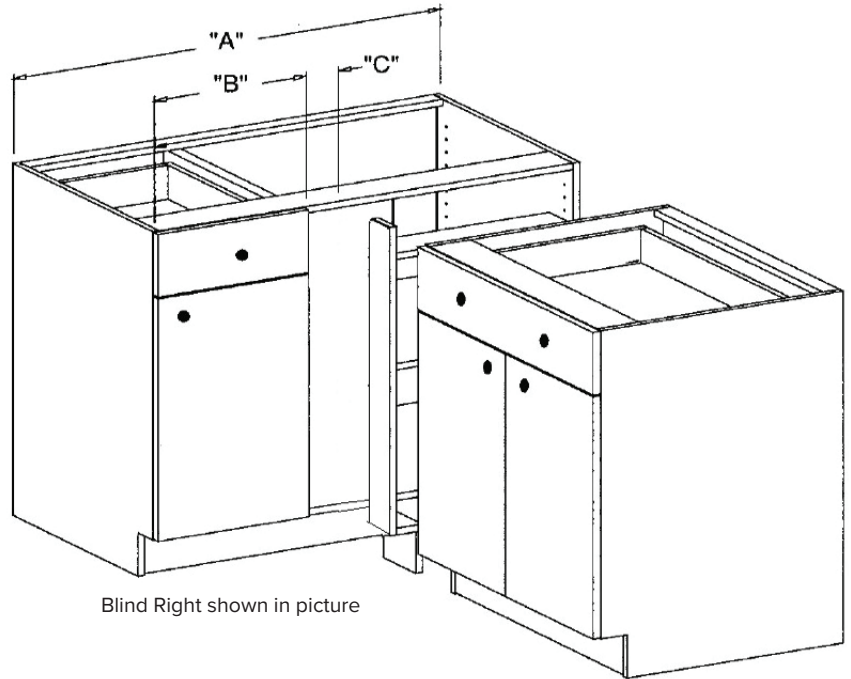
# BLIND CABINETS

## FRAMELESS BASES

Designing with Blind Cabinets requires a few considerations...

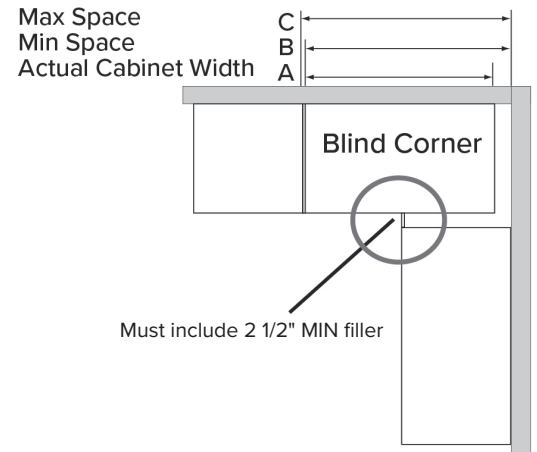
- Cabinet Construction
- Door Overlay
- With or Without Hardware
- Design needs space

- Half-depth adjustable shelf
- Maximum pull (See charts below)
- Close off material stapled to back of cabinet
- Must be Ordered as Blind Left or Blind Right Configuration
- Blind mullion is 6" overall and add 5/8" to cabinet depth



Blind Right shown in picture

	Actual Cabinet Width	Pull	Max Space	Max Pull	Door Width
	A		C		Size
<b>BB39</b>	33"	6"	45"	12"	11 7/8"
<b>BB42</b>	39"	3"	48"	9"	14 7/8"
<b>BB45</b>	45"	0"	51"	6"	17 7/8"
<b>BB48</b>	48"	0"	52 1/2"	4 1/2"	19 3/8"



Note: Variation in color and grain may differ from actual product.



KITCHEN CABINET  
MANUFACTURERS ASSOCIATION

15167 Business Ave  
Addison, TX 75001  
(972) 606-9667 office  
(972) 735-0934 fax  
info@republicelite.com

REPUBLICELITE.COM

- [/republicelitemultifamilyinteriors](#)
- [/company/republicelite](#)
- [/republicelitemf](#)

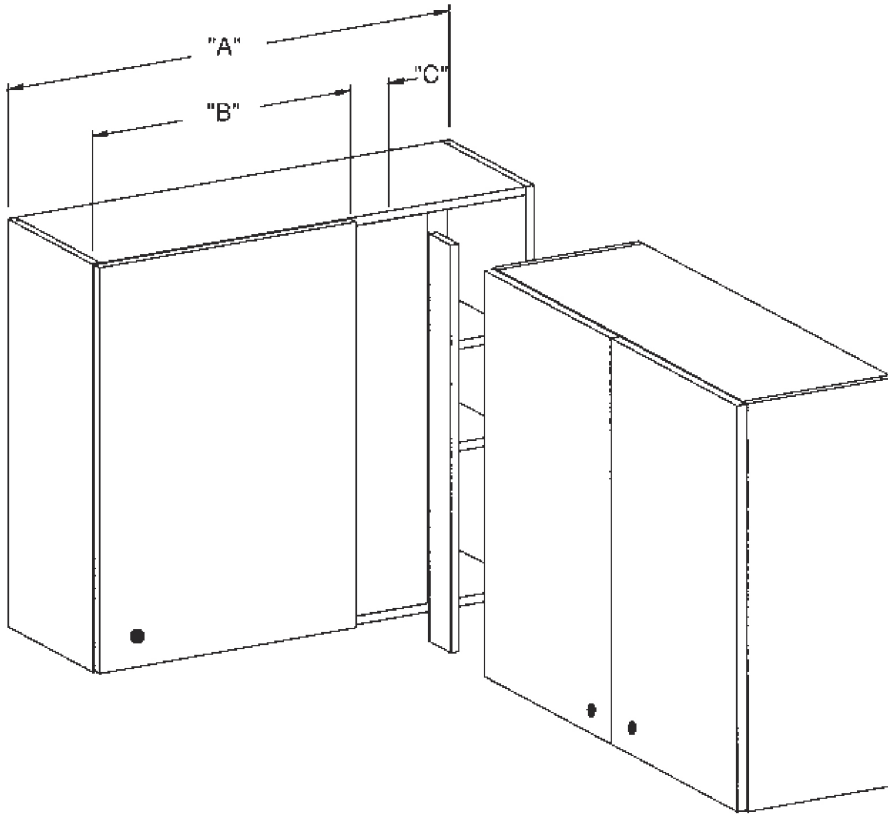
REVISED 3-11-2024



REPUBLIC  
ELITE

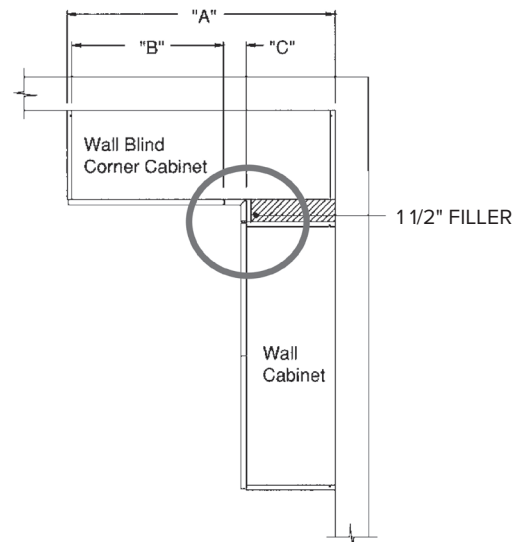
# BLIND CABINETS

## FRAMELESS WALLS



- Blind mullion is 6" overall and adds 5/8" to cabinet depth
- Maximum pull 3"
- Close off material stapled to back of cabinet

CABINET	Actual Cabinet Width	Min 0" Pull	Max 3" Pull	Door Width
<b>WB24XX</b>	24"	24"	27"	8 7/8"
<b>WB30XX</b>	30"	30"	33"	14 7/8"
<b>WB36XX</b>	36"	36"	39"	20 7/8"
<b>WB39XX</b>	39"	39"	42"	23 7/8"



Wall blind cabinets can be pulled a maximum of 3" from wall  
 1 1/2" wall filler required for installation of adjoining cabinet  
 Door hinged on same side as blind on single door cabinets  
 Designed to be reversible

Note: Variation in color and grain may differ from actual product.



KITCHEN CABINET  
MANUFACTURERS ASSOCIATION

15167 Business Ave  
 Addison, TX 75001  
 (972) 606-9667 office  
 (972) 735-0934 fax  
 info@republicelite.com

REPUBLICELITE.COM

- /republicelitemultifamilyinteriors
- /company/republicelite
- /republicelitemf