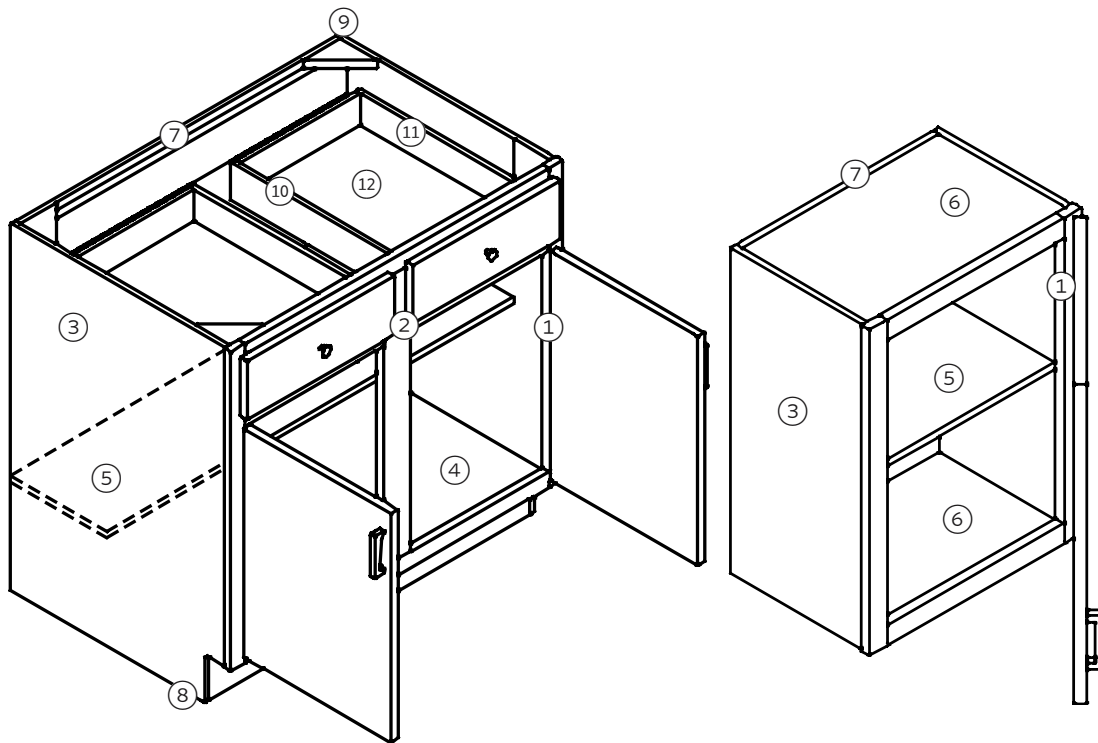




REPUBLIC
ELITE

FRAMED CABINETS WITH THERMOFOIL DOORS

Standard Construction



- ① Hinges – 1/2" overlay concealed
- ② Face Frame – 3/4" hardwood
- ③ End Panels – 1/2" particleboard
- ④ Base Bottoms – 1/2" particleboard
- ⑤ Shelves – 5/8" pbd, base & wall adj.
- ⑥ Wall Tops/Bottoms – 1/2" particleboard
- ⑦ Backs – 1/8" hardboard
- ⑧ Toe Kick Supports – 1/2" particleboard (inset)
- ⑨ Corner Blocks – Triangular Nylon
- ⑩ Drawer Guides – Epoxy, 75 lb. capacity
- ⑪ Drawer Box – 1/2" particleboard
- ⑫ Drawer Bottom – 1/8" hardboard

Note: Variation in color and grain may differ from actual product.



KITCHEN CABINET
MANUFACTURERS ASSOCIATION

15167 Business Ave
Addison, TX 75001
(972) 606-9667 office
(972) 735-0934 fax
info@republicelite.com

REPUBLICELITE.COM

[f](#) /republicitemultifamilyinteriors

[in](#) /company/republicelite

[e](#) /republicitemf

Thermofoil Doors on Framed Cabinet Selections

Door Style



Shaker TF

Shaker style thermofoil door with recessed panel look. Slab drawer front. *(Matte White shown)*



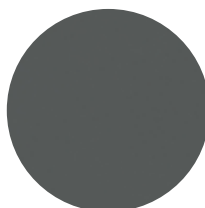
Manhattan

Slab thermofoil door with rounded edge profile. Slab drawer front. *(Denali shown)*

Door Color



Matte White TF



Tin Roof TF



Denali TF

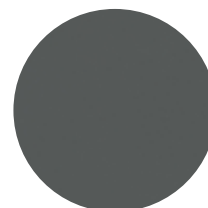


Verismo TF

Cabinet Finish



White Paint



Tin Roof Paint



Ivory Paint



Castlerock Stain

This collection will default to wheat backs & interiors unless otherwise specified.

Note: Variation in color and grain may differ from actual product.



KITCHEN CABINET
MANUFACTURERS ASSOCIATION

15167 Business Ave
Addison, TX 75001
(972) 606-9667 office
(972) 735-0934 fax
info@republicelite.com

REPUBLICELITE.COM

[/republicitemultifamilyinteriors](#)
[/company/republicelite](#)
[/republicitemf](#)