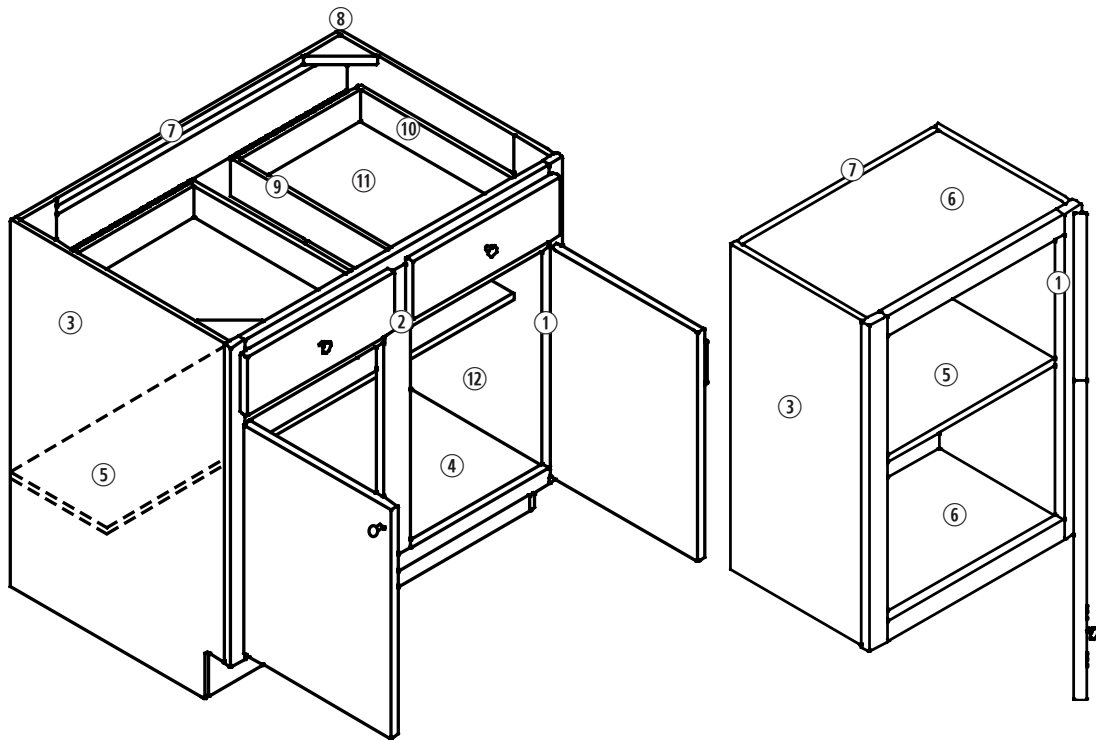




REPUBLIC  
ELITE

# FRAMED CABINETS

## Plywood Construction



- ① Hinges – 1/2" overlay concealed
- ② Face Frame – 3/4" hardwood
- ③ End Panels – 1/2" plywood
- ④ Base Bottoms – 1/2" plywood
- ⑤ Shelves –  
Cabinets up to 36" wide - 1/2" plywood  
Cabinets 39" wide and up - 3/4" plywood  
Base and wall adjustable
- ⑥ Wall Tops/Bottoms – 1/2" plywood
- ⑦ Backs – 1/4" plywood
- ⑧ Toe Kick Supports – 1/2" plywood (inset)
- ⑨ Corner Blocks – Triangular nylon
- ⑩ Drawer Guides – Epoxy, 75 lb. capacity
- ⑪ Drawer Box – 12mm plywood
- ⑫ Drawer Bottom – 1/4" laminated MDF (captured)

Note: Variation in color and grain may differ from actual product.



KITCHEN CABINET  
MANUFACTURERS ASSOCIATION

15167 Business Ave  
Addison, TX 75001  
(972) 606-9667 office  
(972) 735-0934 fax  
info@republicelite.com

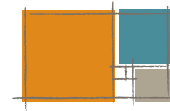
[republicelite.com](http://republicelite.com)

[/republicitemultifamilyinteriors](https://www.facebook.com/republicitemultifamilyinteriors)

[/company/republicelite](https://www.linkedin.com/company/republicelite)

[/republicitemf](https://www.instagram.com/republicitemf)

# Framed Door Styles



REPUBLIC  
E L I T E



**Catalina**  
*Maple*

Raised panel five piece door, mortise and tenon construction with rounded outside edge profile. Slab drawer front.  
*(Cafe shown)*



**Coventry**  
*Maple or Oak*

Shaker style door, mortise and tenon construction with 2" wide rails & stiles. Matching five piece drawer front.  
*(Cognac shown)*



**Davenport**  
*Maple*

Raised panel five piece door, mortise and tenon construction with decorative inside and outside edge profiles. Slab drawer front with matching decorative outside edge profile.  
*(Cafe shown)*



**Heirloom Shaker**  
*Poplar*

Shaker style door, mortise and tenon construction with back bevel outside edge profile. 2" wide rails and stiles. Slab drawer front.  
*(Cognac shown)*



**Newport**  
*Maple*

Wide rail Shaker style door, mortise and tenon construction. Slab drawer front.  
*(Cognac shown)*



**Peyton**  
*Maple*

Slab door with square edge profile. Slab veneer drawer front.  
*(Cafe shown)*



**San Antonio**  
*Oak*

Flat panel five piece door, mortise and tenon construction with rounded outside edge profile. Slab drawer front.  
*(Cognac shown)*



**Shaker**  
*Maple*

Shaker style door, mortise and tenon construction. Recessed flat center panel with 2" wide rails & stiles. Slab drawer front.  
*(Cognac shown)*



**Sherwood**  
*Maple*

Flat panel five piece door, mortise and tenon construction with beaded inside edge and shaker style outside edge profiles. Slab drawer front.  
*(Cognac shown)*



**Sierra**  
*Oak*

Shaker style oak door, mortise and tenon construction with 2" wide rails & stiles. Slab drawer front.  
*(Cognac shown)*



**Stoneridge**  
*Maple*

Flat panel five piece door, mortise and tenon construction with rounded outside edge profile. Slab drawer front.  
*(Cognac shown)*

Note: Variation in color and grain may differ from actual product.



KITCHEN CABINET  
MANUFACTURERS ASSOCIATION

15167 Business Ave  
Addison, TX 75001  
(972) 606-9667 office  
(972) 735-0934 fax  
info@republicelite.com

[republicelite.com](http://republicelite.com)

[/republicitemultifamilyinteriors](https://www.facebook.com/republicitemultifamilyinteriors)

[/company/republicelite](https://www.linkedin.com/company/republicelite)

[/republicitemf](https://www.instagram.com/republicitemf)

## Maple Stains



Café



Cognac



Castlerock



Heritage Grey

## Oak Stains



Café



Cognac



Castlerock



Heritage Grey

## Poplar Stains



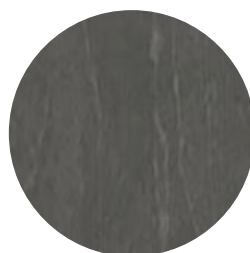
Café



Cognac



Castlerock



Heritage Grey

Note: Variation in color and grain may differ from actual product.



KITCHEN CABINET  
MANUFACTURERS ASSOCIATION

15167 Business Ave  
Addison, TX 75001  
(972) 606-9667 office  
(972) 735-0934 fax  
info@republicelite.com

[republicelite.com](http://republicelite.com)

[f](#) /republicitemultifamilyinteriors

[in](#) /company/republicelite

[@](#) /republicitemf